

## QPD4-2000-6000

### 4-Way, 2~6GHz

#### Features:

- \* Small Size
- \* Low Insertion Loss

#### Applications:

- \* Amplifiers
- \* Mixers
- \* Antennas
- \* Laboratory Test

#### Electrical

Frequency:	2~6GHz
Insertion Loss:	0.6dB max. (SMA) 1dB max. (N)
Input VSWR:	1.25 max.
Output VSWR:	1.2 max.
Isolation:	22dB min. (SMA) 20dB min. (N)
Amplitude Balance:	0.3dB max.
Phase Balance:	±4°
Impedance:	50Ω
Average Power:	30W max. 2W max. as combiner

#### Mechanical

Mounting:	4-Φ2.8mm through-hole (SMA) 4-Φ3.2mm through-hole (N)
-----------	--

#### Environmental

Operation Temperature:	-35~+75°C
------------------------	-----------

#### How To Order

**QPD4-2000-6000-X-Y**

X: Average power as divider

Y: Connector type

Connector naming rules:

S - SMA Female (Outline A)

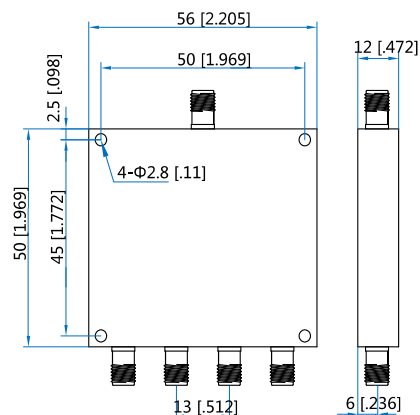
N - N Female (Outline B)

Examples:

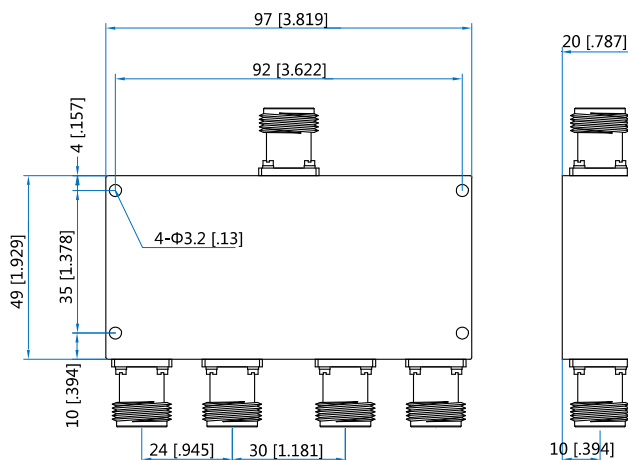
To order a 4-way power divider, 2~6GHz, 30W, N female, specify QPD4-2000-6000-30-N.

Customization is available upon request.

#### Outline Drawings



Outline A



Outline B

Unit: mm [in]

Tolerance: ±0.5mm [±0.02in]